

# KARAVAN

## BOAT

Welded Tubular Frame  
for strength and stability

Attractive, durable  
17-Step Powder Coat Finish

Reliable  
ShortFree™  
Lighting  
and Sure-Lube™  
systems

QuietTow™ and SwayControl™  
engineering for carefree towing

KKB-1800-70



SLT-5800-78



KKRT-4800-78



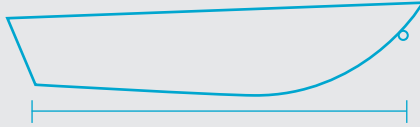
KKB-2400-78



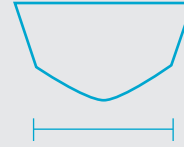
Some models shown with optional features

# Find The Right Trailer In 3 Easy Steps

## 1. Measure the Transom-To-Bow-Eye Length



## 2. Measure the Bottom Width



## 3. Calculate Carrying Capacity

$$\text{Carrying capacity} = \left[ \text{Boat weight including motor (lb)} + \left( \text{Fuel capacity (gal)} \times 6.3 \text{ lb / gal} \right) \right] \times \begin{cases} 1.07 & \text{if max passenger capacity} \leq 6 \\ 1.10 & \text{if max passenger capacity} > 6 \end{cases}$$

SPECS	BOAT			TRAILER								
	Max Boat Length	Transom to Bow Eye	Max Bottom Width	Overall Length	Overall Width	Width Between Fenders	Trailer Weight	GVWR	Carrying Capacity	Tire Size	Hitch Ball Size	
STEEL BUNK	KBE-1250-46	199"	95-182"	47"	217"	59"	47"	250 lb	1500 lb	1250 lb	4.80 x 12B	2"
	KB-1250-56	204"	106-188"	57"	222"	73"	57"	335 lb	1585 lb	1250 lb	5.30 x 12C	2"
	KB-1470-56	204"	106-188"	57"	222"	73"	57"	335 lb	1805 lb	1470 lb	ST175/80D13B	2"
	KBL-1500-56	234"	133-217"	57"	252"	73"	57"	325 lb	1825 lb	1500 lb	ST175/80D13B	2"
	KDB-1500-71	174"	106-156"	68"	192"	85"	68"	410 lb	1910 lb	1500 lb	ST175/80D13B	2"
	KCB-1800-60	210"	163-194"	63"	228"	79"	63"	385 lb	2185 lb	1800 lb	ST175/80D13B	2"
	KKB-1800-70	221"	180-194"	72"	239"	90"	72"	420 lb	2220 lb	1800 lb	ST175/80D13B	2"
	KKB-2400-78	225"	177-191"	80"	243"	99"	80"	550 lb	2950 lb	2400 lb	ST185/80D13C	2"
	KCB-2400-82	223"	188-203"	85"	241"	102"	85"	525 lb	2925 lb	2400 lb	ST185/80D13C	2"
	KCB-3100-78	274"	203-237"	80"	292"	100"	80"	620 lb	3720 lb	3100 lb	ST215/75D14C	2"
	KCBT-4800-78	274"	204-238"	80"	292"	100"	80"	1095 lb	5895 lb	4800 lb	ST215/75D14C	2"
STEEL ROLLER	KKBT-4800-78	279"	208-241"	80"	297"	99"	80"	920 lb	5720 lb	4800 lb	ST215/75D14C	2"
	KKBT-5400-78	306"	218-284"	80"	324"	99"	80"	1020 lb	6420 lb	5400 lb	ST215/75D14C	2"
	KR-1500-56	207"	106-189"	57"	225"	73"	57"	325 lb	1825 lb	1500 lb	5.30 x 12C	2"
ALUMINUM BUNK	KKR-3100-78-S	248"	176-210"	80"	266"	99"	80"	630 lb	3730 lb	3100 lb	ST215/75D14C	2"
	KKRT-4800-78	272"	221-234"	80"	290"	99"	80"	980 lb	5780 lb	4800 lb	ST215/75D14C	2"
	SL-1700-70	225"	166-203"	77"	243"	92"	77"	500 lb	2200 lb	1700 lb	ST175/80D13B	2"
	SL-2450-74	224"	181-193"	82"	242"	97"	82"	510 lb	2960 lb	2450 lb	ST185/80D13C	2"
	SL-4100-78	256"	199-214"	84"	274"	102"	84"	841 lb	4941 lb	4100 lb	ST225/75D15D	2"
SLT-5800-78	308"	236-286"	82"	326"	102"	82"	1270 lb	7070 lb	5800 lb	ST215/75D14C	2"	
SLT-8600-78	327"	272-288"	81"	345"	102"	81"	1320 lb	9920 lb	8600 lb	ST225/75D15D	2-5/16"	

## FEATURES

### SwayControl™ Engineering

Welded tubular frame and adjustable axle on most models

### Durable and Attractive High Quality Finish

Choose either our galvanized or black powder coat

### Step Fender / Swing Tongue

Standard on most models

### Optional Low Maintenance Disc Brakes

Both single axle and tandem axle disc brakes available

### QuietTow™ Componentry

Less noise on spring axle models via nylon bushings

### High Reliability ShortFree™ Lighting System

Fully grounded and all plug (no ScotchLoks); wiring is concealed

### Sure-Lube Wheel Bearing Grease System

Allows quick and clean greasing for easy maintenance

### Coated Self-Coiling Safety Cables

Cables coil out of the way when not in use

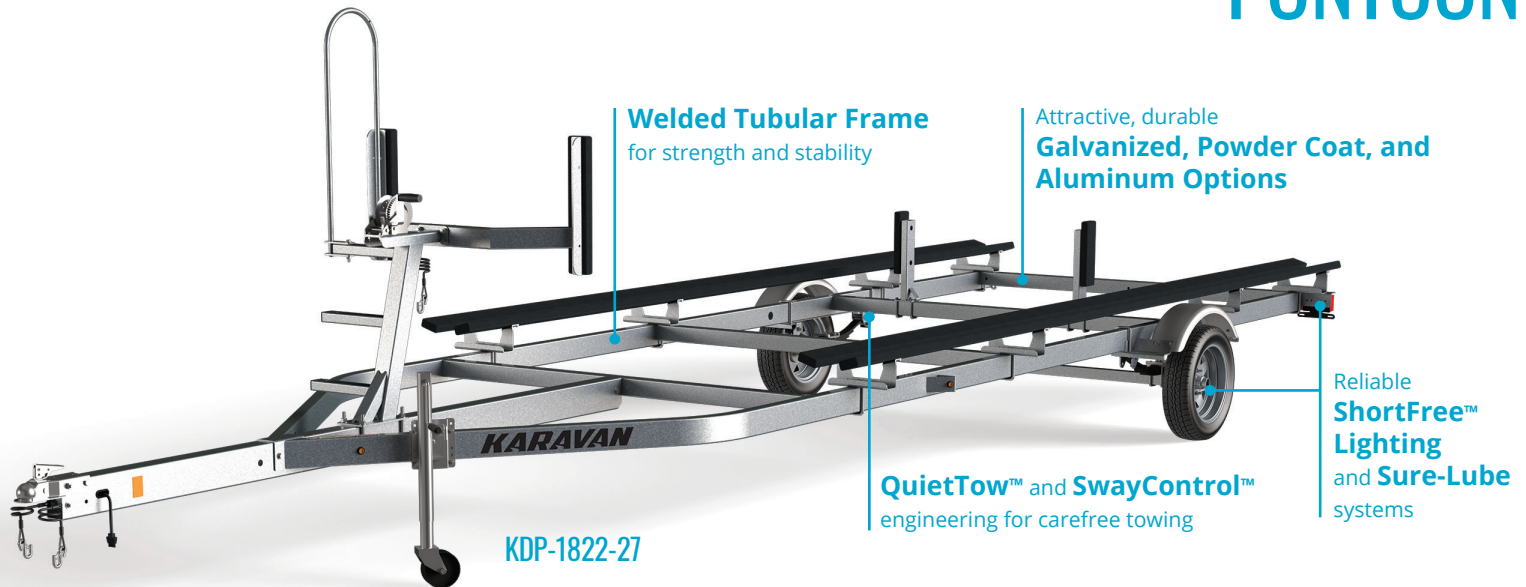
# KARAVAN

PO Box 27 Fox Lake, WI 53933 fx 920.928.6201  
www.karavantrailers.com



# KARAVAN

## PONTOON



**KDPT-1822-DB-45**



**KDPAT-1822-DB-45**



**KPSHD-222**



Some models shown with optional features

# Find The Right Trailer For You

Calculate carrying capacity =  $\left[ \text{Pontoon weight including motor (lb)} + \left( \text{Fuel capacity (gal)} \times 6.3 \text{ lb / gal} \right) \right] \times \begin{cases} 1.07 & \text{if max passenger capacity} \leq 6 \\ 1.10 & \text{if max passenger capacity} > 6 \end{cases}$

SPECS	PONTOON		TRAILER					Hitch Ball Size
	Boat Length	Overall Length	Overall Width	Trailer Weight	GVWR	Carrying Capacity		
STEEL SINGLE AXLE	KDP-1415-16	143" - 180"	215"	100"	410 lb	2060 lb	1650 lb	2"
	KDP-1415-22	143" - 180"	215"	100"	410 lb	2610 lb	2200 lb	2"
	KDP-1618-17	150" - 216"	267"	98"	680 lb	2380 lb	1700 lb	2"
	KDP-1618-22	150" - 216"	267"	98"	680 lb	2880 lb	2200 lb	2"
	KDP-1620-22	150" - 240"	291"	98"	692 lb	2892 lb	2200 lb	2"
	KDP-1820-17	216" - 240"	294"	98"	738 lb	2438 lb	1700 lb	2"
	KDP-1820-22	216" - 240"	294"	98"	738 lb	2938 lb	2200 lb	2"
	KDP-1820-27	216" - 240"	294"	98"	738 lb	3438 lb	2700 lb	2"
	KDP-1822-17	216" - 264"	318"	98"	750 lb	2450 lb	1700 lb	2"
	KDP-1822-27	216" - 264"	318"	98"	750 lb	3450 lb	2700 lb	2"
STEEL TANDEM AXLE	KDPT-2225-25	264" - 300"	349"	96"	870 lb	3370 lb	2500 lb	2"
	KDPT-1820-35	216" - 240"	306"	98"	891 lb	4391 lb	3500 lb	2"
	KDPT-1820-45	216" - 240"	306"	98"	891 lb	5391 lb	4500 lb	2"
	KDPT-1822-35	216" - 264"	330"	96"	903 lb	4403 lb	3500 lb	2"
	KDPT-1822-45	216" - 264"	330"	96"	903 lb	5403 lb	4500 lb	2"
	KDPT-2225-39	264" - 300"	361"	96"	955 lb	4855 lb	3900 lb	2"
	KDPT-2225-45	264" - 300"	361"	96"	1035 lb	5535 lb	4500 lb	2"
	KDPT-2225-50	264" - 300"	361"	96"	1075 lb	6075 lb	5000 lb	2"
	KDPT-2227-45	264" - 324"	374"	96"	1047 lb	5547 lb	4500 lb	2"
	KDPT-2227-50	264" - 324"	374"	96"	1087 lb	6087 lb	5000 lb	2"
KDPT-2628-50	312" - 336"	387"	96"	1140 lb	6140 lb	5000 lb	2"	
KDPT-2528-65	300" - 336"	395"	96"	1885 lb	8385 lb	6500 lb	2-5/16"	
KDPT-2831-65	336" - 372"	431"	96"	2050 lb	8400 lb	6350 lb	2-5/16"	

SPECS	PONTOON		TRAILER					Hitch Ball Size
	Boat Length	Overall Length	Overall Width	Trailer Weight	GVWR	Carrying Capacity		
SCISSOR STYLE	KPSHD-120	246"	314"	46"	660 lb	2090 lb	1430 lb	2"
	KPSHD-220	246"	314"	46"	760 lb	4180 lb	3420 lb	2"
	KPSHD-222	270"	342"	46"	790 lb	4180 lb	3390 lb	2"
	KPSHD-224	294"	362"	46"	840 lb	4180 lb	3340 lb	2"
ALUMINUM SINGLE AXLE	KDPA-1618-17	150" - 216"	289"	98"	790 lb	2490 lb	1700 lb	2"
	KDPA-1618-22	150" - 216"	289"	98"	790 lb	2990 lb	2200 lb	2"
	KDPA-1822-17	216" - 264"	322"	98"	840 lb	2540 lb	1700 lb	2"
	KDPA-1822-22	216" - 264"	322"	98"	840 lb	3040 lb	2200 lb	2"
	KDPA-1822-27	216" - 264"	322"	98"	840 lb	3540 lb	2700 lb	2"
ALUMINUM TANDEM AXLE	KDPAT-1822-35	216" - 264"	333"	96"	1000 lb	4500 lb	3500 lb	2"
	KDPAT-1822-45	216" - 264"	333"	96"	1000 lb	5500 lb	4500 lb	2"

## FEATURES

### SwayControl™ Engineering

Welded tubular frame and adjustable axle

### Durable and Attractive High Quality Finish

Choose either our galvanized or black powder coat

### Tritoon Kit Compatible

Available to fit most models

### Winch Stand Ladder

Standard on most models

### QuietTow™ Componentry

Less noise on spring axle models via nylon bushings

### ShortFree™ Lighting and Sure-Lube systems

Reliable performance and quick and easy maintenance

### Optional Low Maintenance Disc Brakes

Both single axle and tandem axle disc brakes available

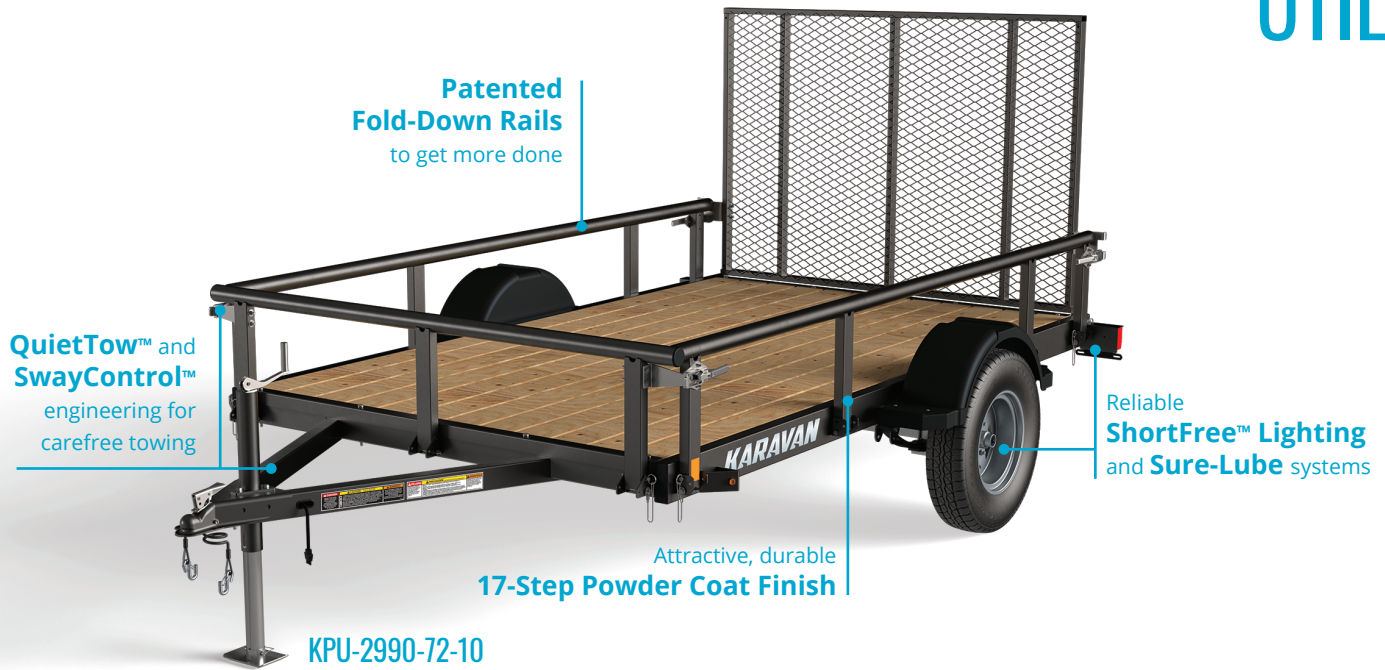
# KARAVAN

PO Box 27 Fox Lake, WI 53933 fx 920.928.6201  
www.karavantrailers.com



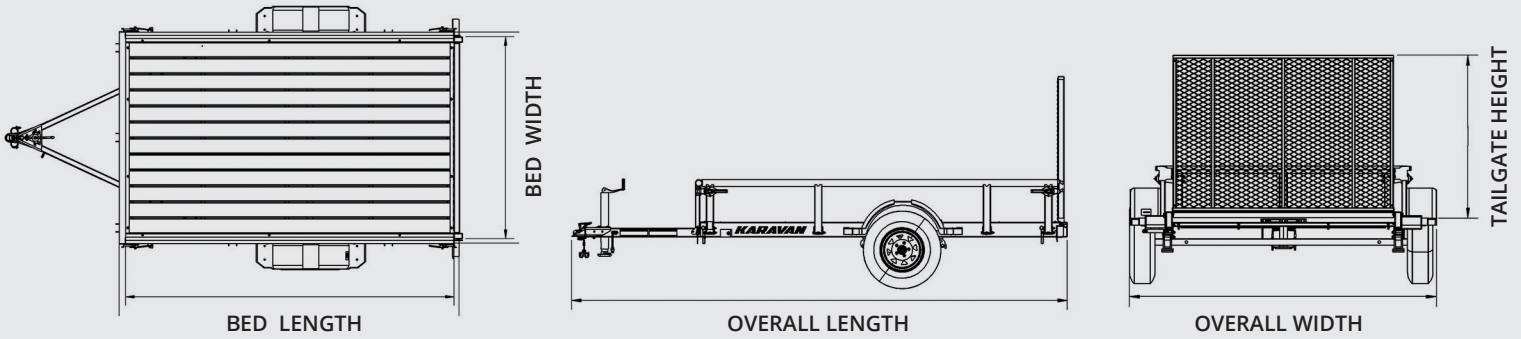
# KARAVAN

## UTILITY



Some models shown with optional features

# Utility Trailer Dimensions



SPECS		Overall Length	Overall Width	Bed Length	Bed Width	Tailgate Height	Trailer Weight	GVWR	Carrying Capacity	Tire Size	Hitch Ball Size
STEEL FOLD-DOWN RAILS	KPU-2000-60-8	143"	76"	96"	60"	44"	517 lb	2000 lb	1483 lb	4.80 X 12C	2"
	KPU-2990-60-10	168"	82"	120"	60"	49"	753 lb	2990 lb	2237 lb	ST215/75D14C	2"
	KPU-2990-72-10	168"	96"	120"	74"	49"	935 lb	2990 lb	2055 lb	ST215/75D14C	2"
	KPU-2990-72-12	192"	96"	144"	74"	49"	967 lb	2990 lb	2023 lb	ST215/75D14C	2"
STEEL STEEL-PLANK FLOOR	KUS-2990-72-10	185"	96"	135"	75"	30"	805 lb	2990 lb	2185 lb	ST215/75D14C	2"
	KUS-2990-72-12	208"	96"	156"	75"	30"	890 lb	2990 lb	2100 lb	ST215/75D14C	2"
	KUS-2990-78-14	229"	100"	183"	78"	30"	905 lb	2990 lb	2085 lb	ST225/75D15C	2"
ALUMINUM	SCU-2200-56	130"	78"	96"	56"	40"	368 lb	2090 lb	1722 lb	ST175/80D13B	2"
	MFF-2200-56	133"	77"	96"	56"	40"	414 lb	2090 lb	1676 lb	5.30 x 12C	2"
	SCU-2990-72-10	168"	95"	120"	72"	45"	568 lb	2990 lb	2422 lb	ST205/75D14C	2"
	SCU-2990-72-12	192"	95"	144"	72"	45"	653 lb	2990 lb	2337 lb	ST205/75D14C	2"

## FEATURES

### SwayControl™ Engineering

Welded tubular frame and A-frame tongue on most models

### Durable and Attractive High Quality Finish

17-step powder coating; galvanized available on some models

### Patented Fold-Down Rails

Makes side loading cargo easy

### Patented Aluminum Modular Design

AL models are attractive, low profile, and easy to move

### QuietTow™ Componentry

Tensioner latches and nylon bushings eliminate rattle and squeak

### High Reliability ShortFree™ Lighting System

Fully grounded and all plug (no ScotchLoks); wiring is concealed

### Sure-Lube Wheel Bearing Grease System

Allows quick and clean greasing for easy maintenance

### Coated Self-Coiling Safety Cables

Cables coil out of the way when not in use

# KARAVAN

PO Box 27 Fox Lake, WI 53933 fx 920.928.6201  
www.karavantrailers.com